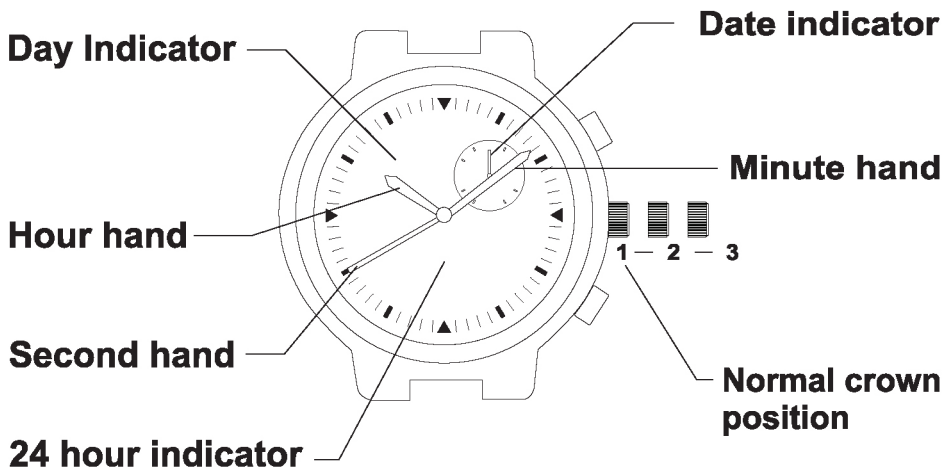


ROYAL ARMY®

Chronograph Caliber 3J



Operating Instruction

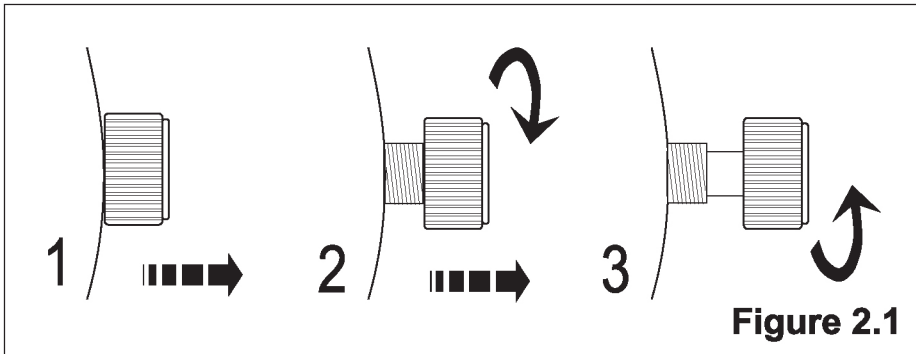
A. To set the time/reset (See Figure 2.1)

1. Pull crown gently out to position 3.
2. turn crown clockwise to set the hands to desired time.
3. Push crown back in to position 1.

ROYAL ARMY®

Chronograph Caliber 3J

Chronograph Caliber 3J



B. To set the date (See Figure 2.1)

1. Pull crown gently to position 2.
2. Turn crown counter clockwise until desired date appears in date indicator dial
3. Push crown back to position 1.

Note :

If the date is set between between hours of around 9:00 PM and 1:00 AM, the date may not change on the following day. If it is necessary to set the date during that time periode, first change the time to anytime outside it; set the date then reset the correct time.